

DESCRIPTION

AMC MODEL WAN-2535-60SP-NS30 IS A VOLTAGE VARIABLE ATTENUATOR OPERATING BETWEEN THE 2.5 TO 3.5 GHz FREQUENCY RANGE AND HAS A DYNAMIC RANGE OF 60 dB.

REVISIONS				
ZONE	REV.	DESCRIPTION	DATE	APPROVED
-	-	ORIGINAL RELEASE JOB# 012260E	4/28/08	
A	A	SEE ECN #04-080	5/18/08	

SPECIFICATIONS

- FREQUENCY RANGE: 2.5 TO 3.5 GHz
- INSERTION LOSS: 1.75 dB MAXIMUM
- VSWR: 1.8:1
- ATTENUATION FLATNESS:

	AT ANY 40 MHz	2.5 TO 3.1 GHz	3.1 TO 3.5 GHz
10 dB		± 0.3 dB	± 0.2 dB
20 dB		± 0.3 dB	± 0.2 dB
30 dB		± 0.3 dB	± 0.2 dB
40 dB		± 0.3 dB	± 0.2 dB
60 dB		± 0.3 dB	± 0.2 dB

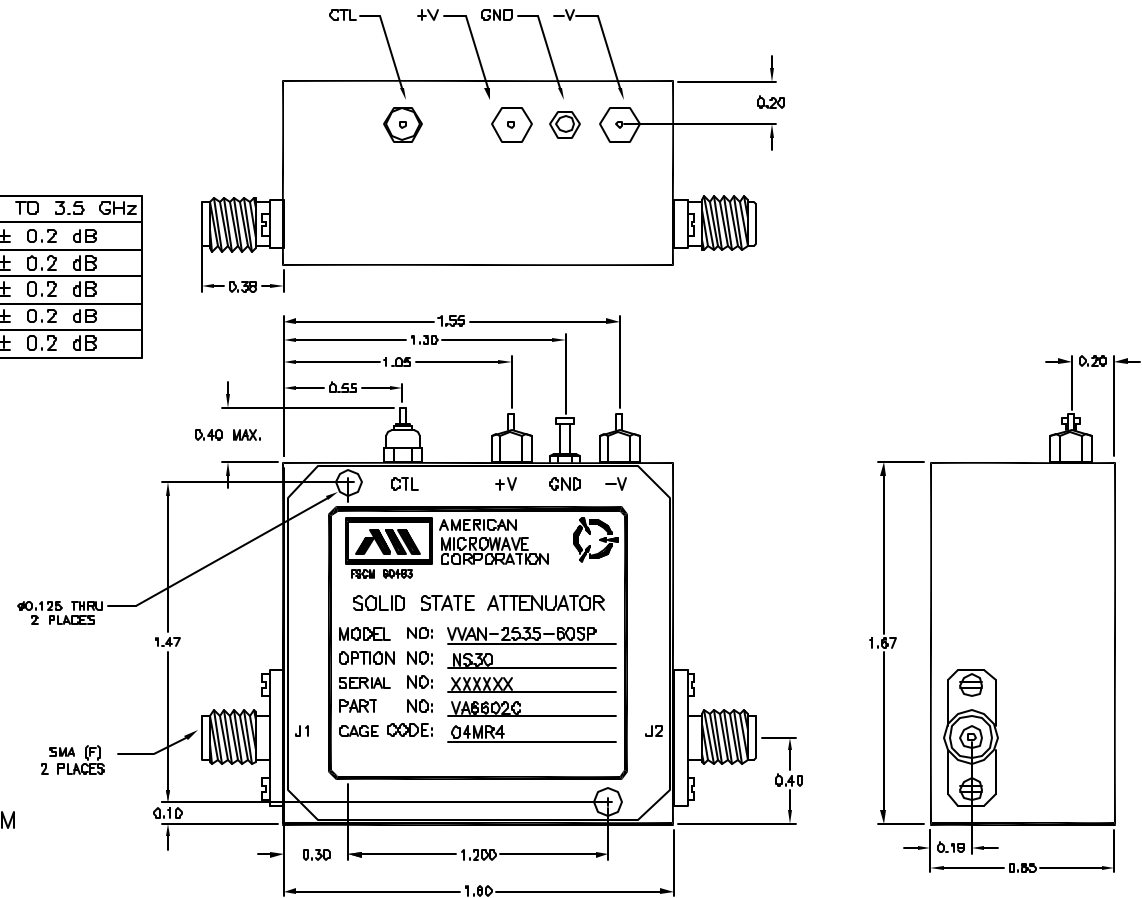
- ATTENUATION ACCURACY:
- 10 dB: ± 0.5 dB
- 20 dB: ± 1.0 dB
- 30 dB: ± 1.5 dB
- 40 dB: ± 2.0 dB
- 50 dB: ± 2.5 dB
- 60 dB: ± 3.0 dB
- TRANSFER FUNCTION: 10 dB/VOLT
- SWITCHING SPEED: 700 nSec
- DC POWER SUPPLY: +15 VDC
-15 VDC
- SIZE: 1.8" x 1.67" x 0.85"

AVAILABLE OPTIONS:

- HS150NS: HIGH SPEED OF 150 nSec MAXIMUM

ENVIRONMENTAL RATINGS:

- TEMPERATURE: 0°C TO +85°C (OPERATING)
-65°C TO +100°C (STORAGE)
- HUMIDITY: MIL-STD-202F, METHOD 103B COND. B
- SHOCK: MIL-STD-202F, METHOD 213B COND. B
- VIBRATION: MIL-STD-202F, METHOD 204D COND. B
- ALTITUDE: MIL-STD-202F, METHOD 105C COND. B
- TEMPERATURE CYCLE: MIL-STD-202F, METHOD 107D COND. A



NOTE: SPECIFICATIONS WILL VARY OVER OPERATING TEMPERATURE.
NOTE: THE ABOVE SPECIFICATIONS ARE SUBJECT TO CHANGE OR REVISION

ALL DIMENSIONS ARE IN INCHES
TOLERANCES:
XXX ±0.020
XXX ±0.010

AMERICAN MICROWAVE CORPORATION

7311-G GROVE ROAD
FREDERICK, MARYLAND 21704 USA
TEL: 301-662-4700 FAX: 301-662-4938
WEBSITE: www.americanmicrowavecorp.com
E-MAIL: sales@americanmicrowavecorp.com
ISO 9001:2000 CERTIFIED

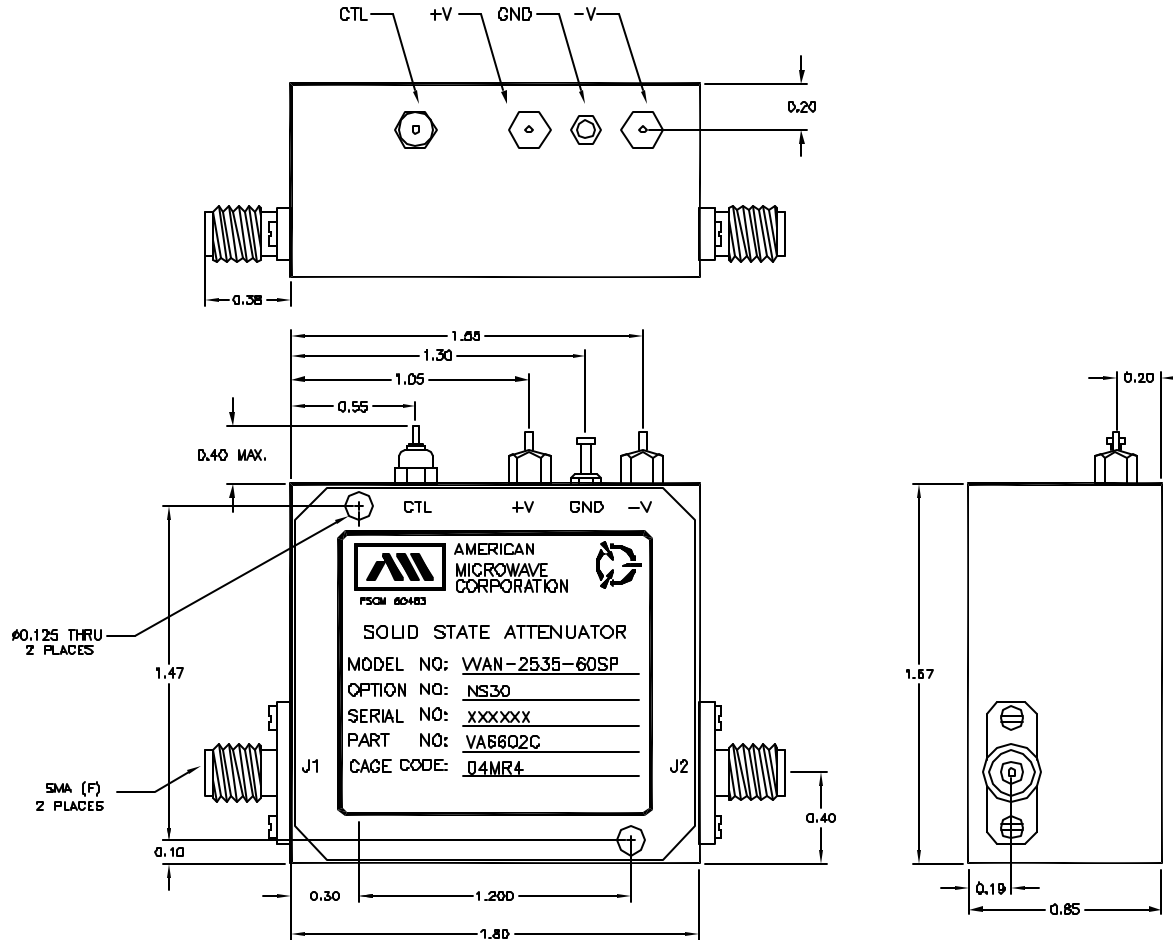


APPROVALS		DATE	TITLE		
DRAWN	<i>FDJ</i>	5/19/08	PRODUCT FEATURE		
REDRAWN	<i>FDJ</i>	12/9/08	WAN-2535-60SP-NS30		
ISSUED			2.5-3.5 GHz VOLTAGE VARIABLE ATTENUATOR		
SIZE	A	FSCM NO.	DWG NO.	REV.	
		60483	100-6589	-	
SCALE N:S			SHEET 1 OF 3		

DESCRIPTION

AMC MODEL WAN-2535-60SP-NS30 IS A VOLTAGE VARIABLE ATTENUATOR OPERATING BETWEEN THE 2.5 TO 3.5 GHz FREQUENCY RANGE AND HAS A DYNAMIC RANGE OF 60 dB.

REVISIONS				
ZONE	REV.	DESCRIPTION	DATE	APPROVED
	-	ORIGINAL RELEASE JOB# 012260E	4/28/08	
	A	SEE ECN #04-080	5/18/08	



MECHANICAL OUTLINE

ALL DIMENSIONS ARE IN INCHES
 TOLERANCES:
 X.XX ±0.020
 X.XXX ±0.010

AMERICAN MICROWAVE CORPORATION

7311-G GROVE ROAD
 FREDERICK, MARYLAND 21704 USA
 TEL: 301-662-4700 FAX: 301-662-4938
 WEBSITE: www.americanmicrowavecorp.com
 E-MAIL: sales@americanmicrowavecorp.com
 ISO 9001:2000 CERTIFIED



APPROVALS		DATE	TITLE			REV.
DRAWN	<i>FDJ</i>	5/19/08	MECHANICAL OUTLINE WAN-2535-60SP-NS30 2.5-3.5 GHz VOLTAGE VARIABLE ATTENUATOR			
REDRAWN	<i>FDJ</i>	12/9/08	SIZE	FSCM NO.	DWG NO.	
ISSUED			A	60483	100-6589	-
			SCALE	N:S	SHEET	2 OF 3

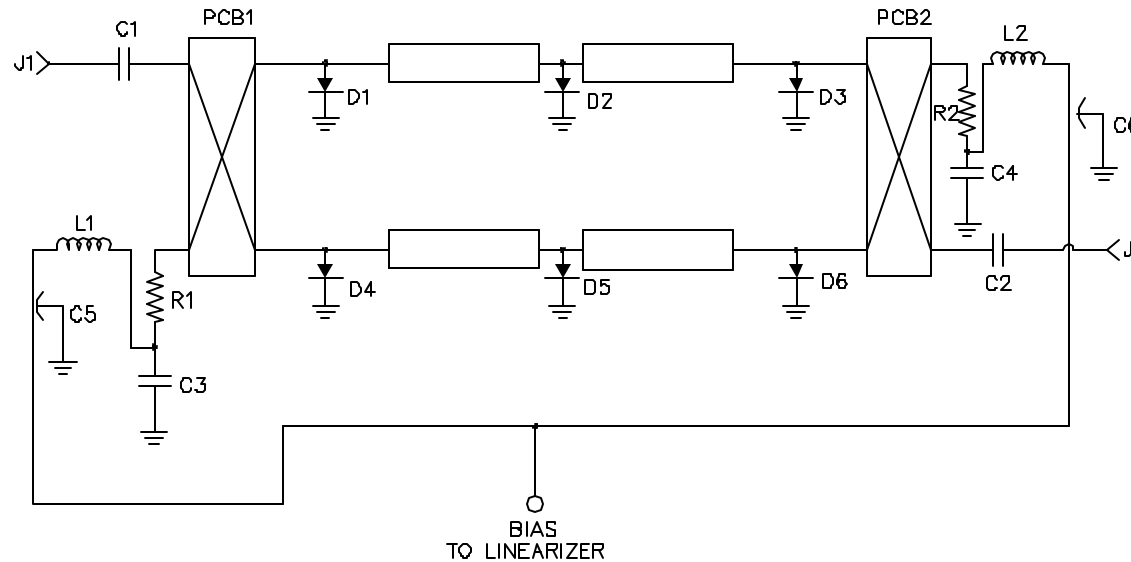
DESCRIPTION

AMC MODEL WAN-2535-60SP-NS30 IS A VOLTAGE VARIABLE ATTENUATOR OPERATING BETWEEN THE 2.5 TO 3.5 GHz FREQUENCY RANGE AND HAS A DYNAMIC RANGE OF 60 dB.

REVISIONS				
ZONE	REV.	DESCRIPTION	DATE	APPROVED
	-	ORIGINAL RELEASE JOB# 012260E	4/28/08	
	A	SEE ECN #04-080	5/18/08	

NATURAL COMPUTING SERVICES, CA

FUNCTIONAL BLOCK DIAGRAM



AMERICAN MICROWAVE CORPORATION

7311-G GROVE ROAD
 FREDERICK, MARYLAND 21704 USA
 TEL: 301-662-4700 FAX: 301-662-4938
 WEBSITE: www.americanmicrowavecorp.com
 E-MAIL: sales@americanmicrowavecorp.com
 ISO 9001:2000 CERTIFIED



APPROVALS		DATE	TITLE		
DRAWN	<i>FDF</i>	5/19/08	FUNCTIONAL SCHEMATIC		
REDRAWN	<i>FDF</i>	12/9/08	WAN-2535-60SP-NS30		
ISSUED			2.5-3.5 GHz VOLTAGE VARIABLE ATTENUATOR		
			SIZE	FSCH. NO.	DWG. NO.
			A	60483	100-6589
			SCALE	N:S	SHEET 3 OF 3